



**R36XLMW20**  
**R36XLMW26**



## IMPORTANT!

It is essential that you read the instructions in this manual before assembling, operating, and maintaining the product.

Subject to technical modification.

Safety, performance, and dependability have been given top priority in the design of your cordless lawnmower.

## INTENDED USE

The cordless lawnmower is intended for outdoor use only.

The product is designed for domestic lawn mowing. It is a pedestrian-controlled walk-behind mower designed to be pushed by hand or used with the self-propel feature.

The product should never be operated with the wheels off the ground. It should not be pulled or ridden on.

Do not use the product for any other purpose.

## GENERAL SAFETY WARNINGS

- Keep the instructions safe for later use.
- The product should be operated only with the battery packs specified in this manual. When using a battery-operated product, basic safety precautions should always be followed to reduce the risk of fire, leaking batteries, and personal injury.

## PERSONAL SAFETY

- Never allow children or people with reduced physical, sensory, or mental capabilities, or persons who are not familiar with these instructions to operate, clean, or maintain the product. Local regulations may restrict the age of the operator. Children should be adequately supervised to ensure that they do not play with the product.
- Be familiar with the controls and the correct use of the product.
- Wear heavy, long trousers, long sleeves, and sturdy anti-slip footwear. Do not wear short trousers, sandals, or go barefoot. Avoid wearing clothing that is loose-fitting or that has hanging cords or ties.
- Use the product across the face of slopes; never up and down. Exercise extreme caution when changing direction on slopes. Keep firm footing and balance. Walk; never run.

- Do not use the product near drop-offs, ditches, excessively steep slopes, or embankments.
- Always wear safety glasses.
- The product is capable of amputating hands and feet, and of throwing objects. Failure to observe all safety instructions could result in serious injury or death.
- Stay alert, watch what you are doing, and use common sense when operating the product. Do not operate the product while tired, ill, or under the influence of drugs, alcohol, or medication. A lapse in concentration while operating the product may result in serious personal injury.

## WORK AREA SAFETY

- Never use the product while people, especially children, or pets are within 15 m because of the danger of objects being thrown by contact with the blade.
- Always use the product in daylight or good artificial light.
- Do not operate the product on wet grass or in the rain.
- Keep in mind that the operator or user is responsible for accidents or hazards occurring to other people or their property.
- Objects struck by the lawnmower blade can cause severe injuries to persons. Thoroughly inspect the area where the product is to be used, and remove all rocks, sticks, metal, wire, bones, toys, or other foreign objects. Remember, string or wire may entangle with the cutting means.
- Do not operate the product in explosive atmospheres, such as in the presence of flammable liquids, gases, or dust. The product creates sparks, which may ignite dust or fumes.
- Do not use the product when there is a risk of lightning.
- Tragic accidents can occur if the operator is not alert to the presence of children. Children are often attracted to the product and the mowing activity. Never assume that children will remain where you last saw them.
- Use extra care when approaching blind corners, shrubs, trees, or other objects, including overhanging shrubs, which may block your view.

## BATTERY TOOL USE AND CARE

- Read, understand, and always follow the safety instructions which came with your battery and charger. Failure to do so may result in electric shock, fire or other hazardous situations. Keep all the instructions together in a safe place for future reference.
- Battery-operated products do not have to be plugged into an electrical outlet; therefore, they are always in operating condition. Remove the isolator key whenever you are not operating the product.
- Remove the battery pack before making any adjustments, cleaning, or removing material from the product.
- Ensure the isolator key is removed before inserting battery pack.
- A battery pack must be recharged only with the charger specified by the manufacturer. Using a charger with an incompatible battery pack may create a risk of fire. Use battery pack only with charger listed.
- Use only battery pack intended specifically for the product. Use of any other battery packs may result in a risk of fire, electric shock, or injury to persons.
- When battery pack is not in use, keep it away from other metal objects like, paper clips, coins, keys, nails, screws, or other small metal objects, that can make a connection from one terminal to another. Shorting the battery pack terminals together may cause sparks, burns, fire or explosion.
- Do not place battery products or their batteries near fire or heat. This increases the risk of explosion and possibly injury.
- Do not open or mutilate the battery pack. Released electrolyte is corrosive and may cause damage to the eyes or skin. It may be toxic if swallowed.
- Protect the battery pack against moisture and water. Do not charge the product in a damp or wet location. Following this rule will reduce the risk of electric shock.
- In case of damage and improper use of the battery, vapour may be emitted. Provide for fresh air and seek medical help in case of complaints. The vapour can irritate the respiratory system.
- Do not leave the battery pack inside a vehicle in hot or cold conditions.
- Do not incinerate the battery.

- Under abusive conditions, liquid may be ejected from the battery; avoid contact. If contact accidentally occurs, flush with water. If liquid contacts eyes, additionally seek medical help. Liquid ejected from the battery may cause irritation or burns.

## CORDLESS LAWNMOWER SAFETY WARNINGS

- Before use, always visually inspect the product to ensure that blades, blade bolts, and cutter assembly are not worn or damaged. Replace worn or damaged blades and bolts in sets to preserve balance.
- Bring the product to an authorised service centre to replace damaged or unreadable labels.
- Do not pull the product backwards unless absolutely necessary. If you must back the product away from a wall or obstruction, first look down and behind to avoid tripping or pulling the product over your feet.
- Turn off the product and allow the blade to stop if the product has to be tilted for transportation when crossing surfaces other than grass, and when transporting the product to and from the work area.
- Never use the product with defective guards or shields, or without safety devices, such as deflectors and grass catchers, in place.
- Do not tilt the product when turning on the motor or while the motor is running. If absolutely necessary, you may raise the front of the lawnmower by no more than 5 cm to enable easier starting. Press down on the handlebar to achieve this. Always return the lawnmower to its normal position with all wheels on the ground before cutting. Tilting the lawnmower exposes the blade and increases the probability of objects being thrown and accidentally making contact with the blade.
- Do not start the product when standing in front of the grass discharge opening.
- The product must be started with the user behind the handlebars in the operator safety zone. Never start the product if:
  - The grass discharge chute is exposed and is not protected by the grass catcher and grass discharge chute cover.
  - Hands and feet of all persons are not clear of the cutting enclosure.
- Turn on the product carefully according to instructions, and keep hands and feet away from the blades. Do not put hands or feet

near or under rotating parts. Keep clear of the discharge opening at all times.

- Never pick up or carry the product while it is running.
- Turn off the product, and remove the isolator key and the battery pack. Make sure that all moving parts have come to a complete stop:
  - whenever leaving the product unattended (including disposal of grass clippings)
  - before clearing blockages or unclogging the discharge chute
  - before checking, cleaning, or working on the product
  - before removing the grass catcher or opening the grass discharge chute cover
  - after striking a foreign object; inspect the product for damage and make repairs as necessary before restarting and operating the product
  - if the product starts to vibrate abnormally (check immediately)
    - inspect for damage, particularly the blades
    - replace or repair any damaged parts
    - check for and tighten any loose parts
- The cutting blade should rotate approximately parallel to the ground over which it is being wheeled.
- The blade on the product is sharp. Use extreme caution, and wear heavy-duty gloves when fitting, replacing, cleaning, or checking bolt security.
- Never operate the product if the on/off switch on the handlebar does not properly start and stop the product.
- Never attempt to lock the on/off switches in the on position; this is extremely dangerous.
- Do not force the product. It will do the job better and safer at the speed for which it was designed.
- Stop the blade when crossing gravel surfaces.
- Avoid holes, ruts, bumps, rocks, property stakes, or other hidden objects. Uneven terrain could cause a slip-and-fall accident.
- Always ensure that the motor control cable is never trapped, pinched, or otherwise damaged during assembly or when folding the handle.
- Injuries may be caused, or aggravated, by prolonged use of the product. When using the product for prolonged periods, ensure to take regular breaks.

## ADDITIONAL BATTERY SAFETY WARNINGS

To reduce the risk of fire, personal injury, and product damage due to a short circuit, never immerse the tool, battery pack, or charger in fluid or allow fluid to flow inside them. Corrosive or conductive fluids, such as seawater, certain industrial chemicals, and bleach or bleach-containing products, etc., can cause a short circuit.

## PRODUCT FEATURES

### OVERLOAD AND OVERHEAT PROTECTION

The product has an overload protection device. When overloading is detected, the product automatically turns off. If the overload protector is actuated, the on/off lever must be released. Press the start button, and squeeze the on/off lever to restart the product. If the product still does not start, reinstall the battery pack.

The battery pack has overheat protection. Excessive temperatures will cause the battery to stop powering the product. If the battery pack is too warm, allow it to cool down before resuming operation. If the product still does not work, recharge the battery.

**NOTE:** The battery pack LED indicator will not work if the battery protection feature has caused the battery pack to stop powering the product. Turn off the product or remove the battery pack from the product, and the battery pack LED indicator will resume normal function.

## GENERAL MOWING TIPS

The run time of the battery depends on the condition, length, and density of the grass.

Adjust the cutting height of the lawnmower to suit the current condition of the lawn.

- For best performance, always cut off one-third or less of the total height of the grass.
- When cutting long grass, reduce walking speed to allow for more effective cutting and a proper discharge of the clippings.
- A higher cutting height extends the run time of the battery pack.

## TRANSPORTATION AND STORAGE

- Turn off the product, and remove the isolator key and the battery pack. Make sure that all moving parts have come to a complete



stop. Allow the product to cool down before storing or transporting.

- Remove all foreign materials from the product. Store the product in a cool, dry, and well-ventilated place that is inaccessible to children. Keep the product away from corrosive agents such as garden chemicals and de-icing salts. Do not store the product outdoors.
- For transportation in vehicles, remove the isolator key, and secure the product against movement or falling to prevent injury to persons or damage to the product.
- Use extreme caution when lifting or tilting the product for maintenance, cleaning, storage, or transportation. The blade is sharp. Keep all body parts away from the blade while it is exposed.

### TRANSPORTING LITHIUM BATTERIES

Transport the battery in accordance with local and national provisions and regulations.

Follow all special requirements on packaging and labelling when transporting batteries by a third party. Ensure that no batteries can come in contact with other batteries or conductive materials while in transport by protecting exposed connectors with insulating, non-conductive caps or tape. Do not transport batteries that are cracked or leaking. Check with the forwarding company for further advice.

### MAINTENANCE

- Use only original manufacturer's replacement parts, accessories, and attachments. Failure to do so can cause possible injury, can contribute to poor performance, and may void your warranty.
- Servicing requires extreme care and knowledge and should be performed only by a qualified service technician. Have the product serviced by an authorised service centre only.
- Turn off the product, and remove the isolator key and the battery pack. Make sure that all moving parts have come to a complete stop before any cleaning or maintenance task.
- Replace worn or damaged parts for safety.
- Frequently check the grass catcher for wear or deterioration.
- Check all nuts, bolts, and screws at frequent intervals for proper tightness to ensure that the product is in safe working condition.

- Be careful during adjustment of the product to prevent entrapment of the fingers between moving blades and fixed parts of the product.
- When servicing the blades, be aware that even though the power source is turned off, the blades can still be moved.
- You may make adjustments and repairs described in this manual. For other repairs, have the product serviced by an authorised service centre only.
- After each use, clean the plastic parts with a soft, dry cloth. Any part that is damaged should be properly repaired or replaced by an authorised service centre.
- The blade on the product is sharp. Use extreme caution, and wear heavy-duty gloves when fitting, replacing, cleaning, or checking bolt security.
- The blade bolts must be adequately tightened. See the manufacturer's recommendations for blade bolt torque, which can be found in the product specification table in this manual.

### CLEARING BLOCKAGES

- Turn off the product, and remove the isolator key and the battery pack. Make sure that all moving parts have come to a complete stop.
- Always wear heavy-duty gloves when checking or clearing a blockage. The blades are sharp, and the blockage itself could be a sharp object.
- Remove the grass catcher. Check and carefully clear the grass catcher for obstructions.
- Check the grass discharge chute, and carefully clear blockages.
- Turn the product on its side. Check its underside and the area around the blade. Carefully remove any blockages. Remember that the blade may move during cleaning.

### SYMBOLS ON THE PRODUCT



Safety alert



Read and understand all instructions before operating the product. Follow all warnings and safety instructions.



Beware of thrown or flying objects. Keep all bystanders, especially children and pets, at least 15 m away from the operating area.



Beware of sharp blades. Blades continue to rotate after the motor is turned off. Remove the isolator key before maintenance.



Remove the battery pack before starting any work on the product.



Wear ear protection.



Wear eye protection.



Do not operate the product on inclines greater than 15°. Mow across the face of slopes, never up and down.



Guaranteed sound power level



Do not expose the product to rain or damp condition.



Regulatory Compliance Mark (RCM). Product meets applicable regulatory requirements.



Waste electrical products should not be disposed of with household waste. Please recycle where facilities exist. Check with your local authority or retailer for recycling advice.

## SYMBOLS IN THIS MANUAL

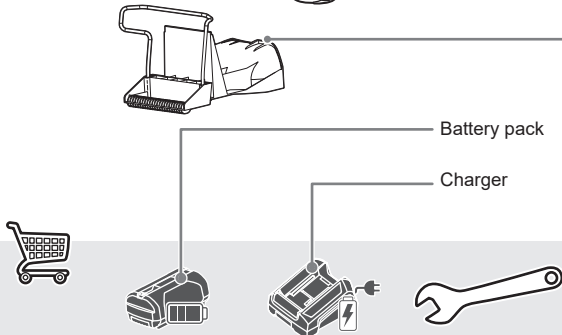
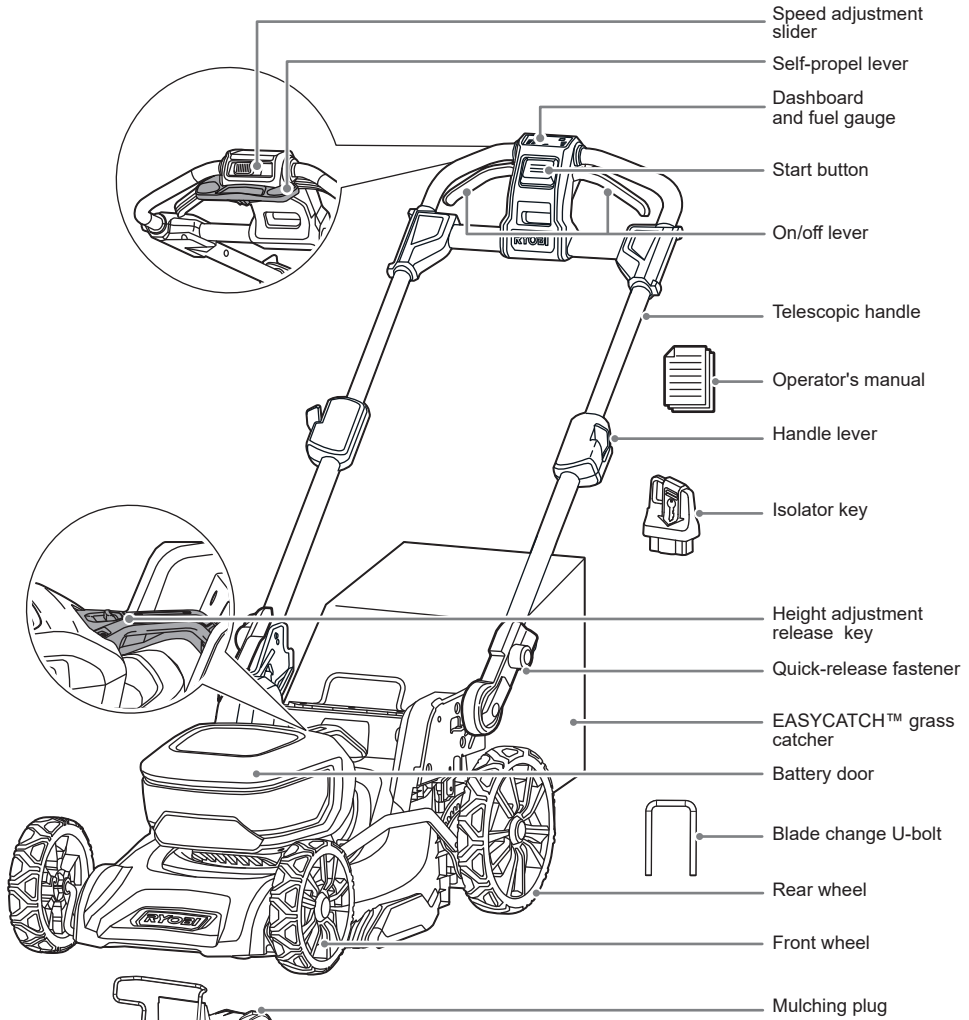


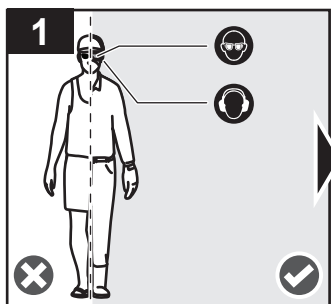
Note



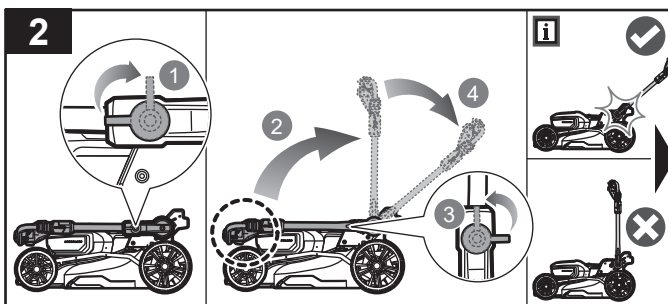
Warning

R36XLMW20

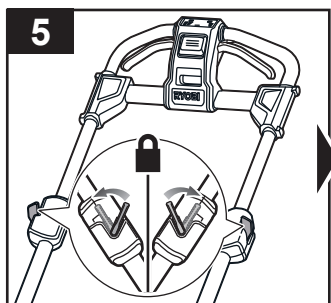




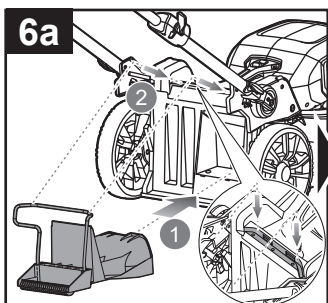
Wear full eye protection, ear protection, non-slip heavy-duty gloves, substantial footwear, and long trousers at all times while operating the product. Do not operate the product when barefoot or wearing open sandals.



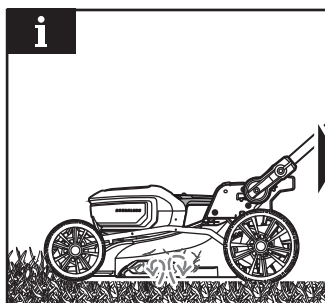
Adjust the operating angle of the handle to your preference. Turn the quick-release fastener 90° clockwise. Align the handle to the preferred locking slot. Turn the fastener 90° counterclockwise, and ensure that the fastener is secured into the slot.



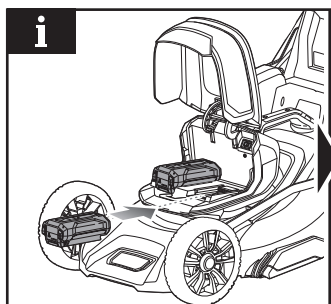
Rotate the handle lock levers clockwise to lock and secure the upper handle.



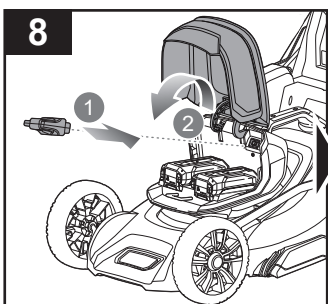
For mulching operation, insert the metal frame of the mulching plug into the magnetic slot on the mower, and insert the mulching plug into the rear discharge chute.



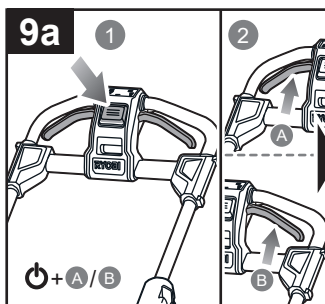
**NOTE:** The mulching plug covers the rear discharge opening to allow the blade to cut and recut for finer clippings. The product will not start without a catcher or mulch plug securely installed.



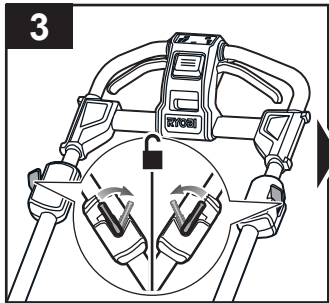
**NOTE:** Both battery ports are active. The product can function using one or two battery packs. **SMART BOOST™ performance can be achieved when two battery packs are inserted to discharge a higher current and provide higher power.**



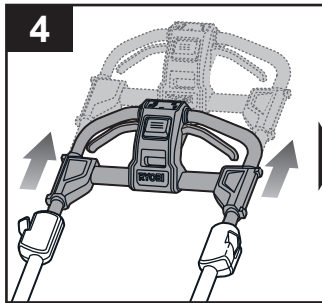
Insert the isolator key, and close the battery door.



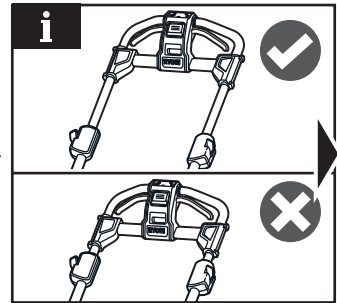
Press the start button, then squeeze and hold either side of the on/off lever to start the product.



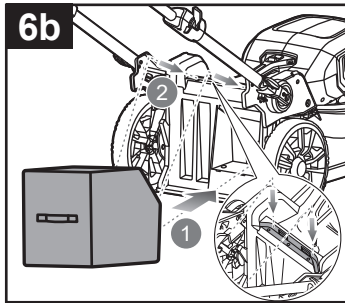
Rotate the handle lock levers counterclockwise to unlock the upper handle.



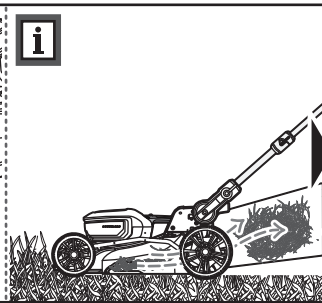
Fully extend the upper handle.



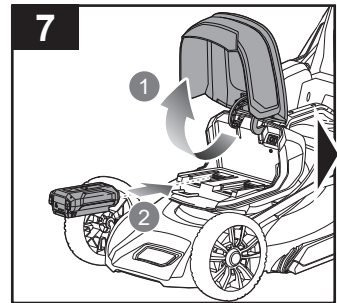
Make sure that the upper handle is fully extended.



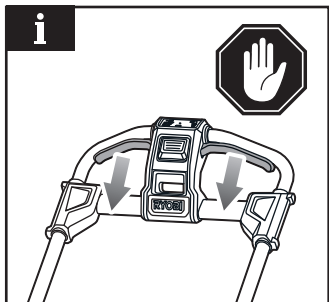
For bagging operation, insert the metal frame of the grass catcher into the magnetic slot on the mower, and make sure that the grass catcher fully covers and aligns with the rear discharge chute.



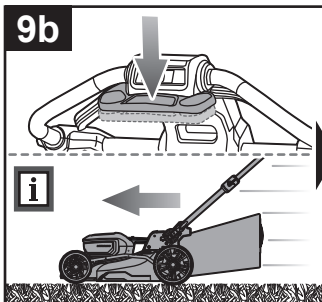
**NOTE:** The grass catcher collects grass clippings preventing them from being discharged across the lawn while mowing. The product will not start without a catcher or mulch plug securely installed.



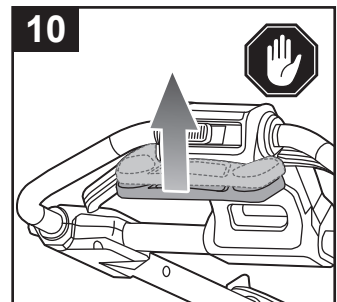
Open the battery door. Install one or two battery packs. Make sure that the latch snaps in place and that the battery pack is secured to the product before operating.



**NOTE:** The on/off lever must be continuously held during use. To turn the product off, release the on/off lever.



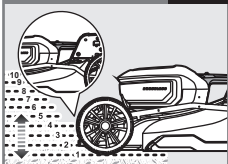
To use the self-propel feature, press the self-propel lever. The self-propel speed can be adjusted with the thumb-slide above the self-propel lever.



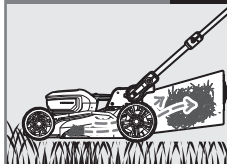
Release the self-propel lever to stop the product.



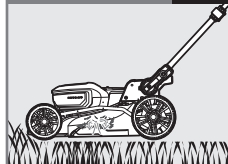
Adjusting the cutting height **p.14**



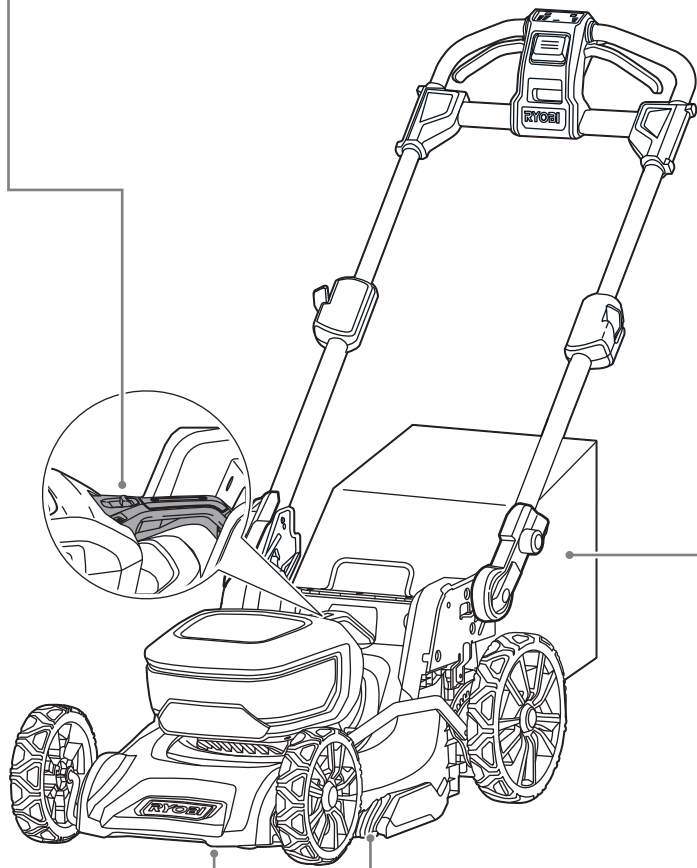
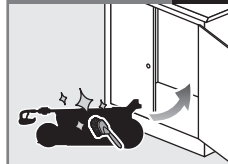
Using the grass catcher **p.11**



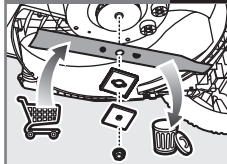
Using the mulching plug **p.12**



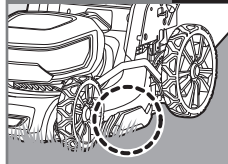
Cleaning and storing the product **p.19**



Replacing the blade **p.15**

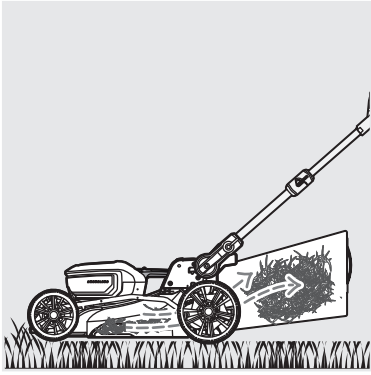


Cutting with EASY EDGE **p.14**



Emptying the grass catcher **p.18**





### USING THE GRASS CATCHER

**WARNING:** Avoid holes, ruts, bumps, rocks, property stakes, or other hidden objects.

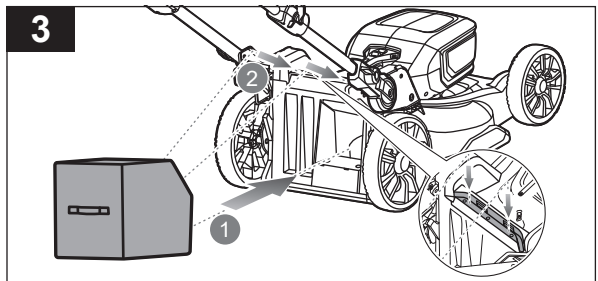
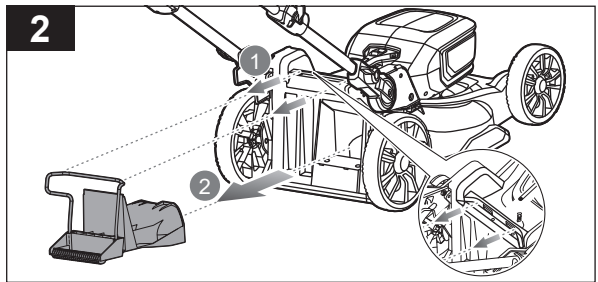
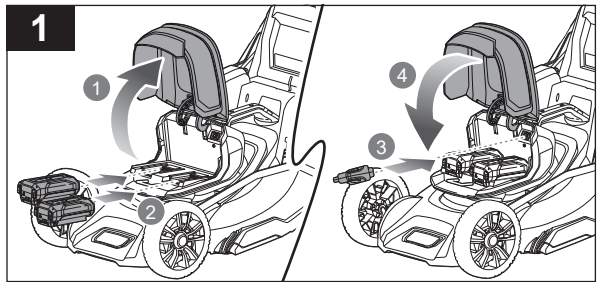
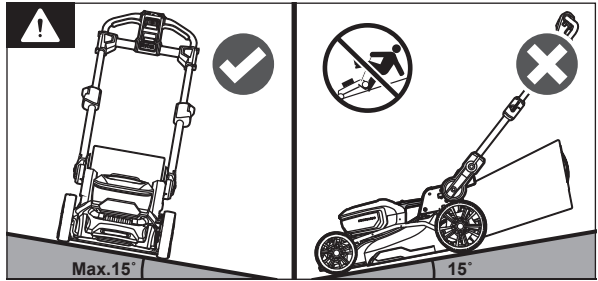
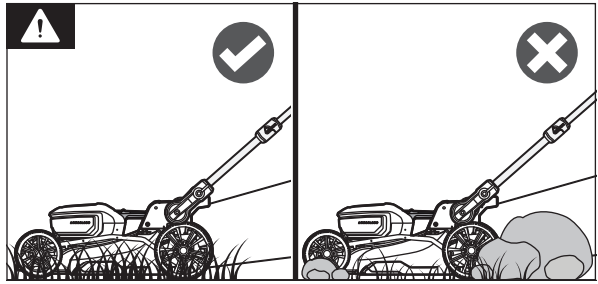
**WARNING:** Do not operate the product on inclines greater than 15°. Mow across the face of slopes, never up and down.

1. Open the battery door. Insert one or two battery packs into the product. Make sure that the latch on the battery pack clicks in place, and that the battery pack is secured before operating the product. Insert the isolator key. Close the battery door.

**NOTE:** The product does not start without the isolator key. Ensure that the isolator key is installed in the product.

2. Remove the mulching plug.
3. Insert the metal frame of the grass catcher into the mower, and make sure that the grass catcher fully covers and aligns with the rear discharge chute. **EASYCATCH™** allows for the grass catcher to easily be passed through the handles.

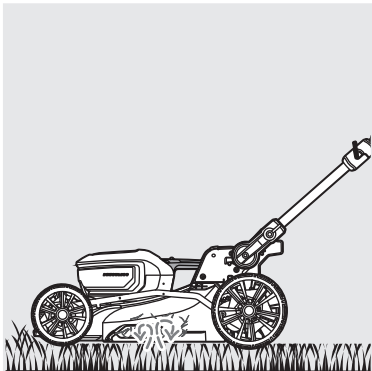
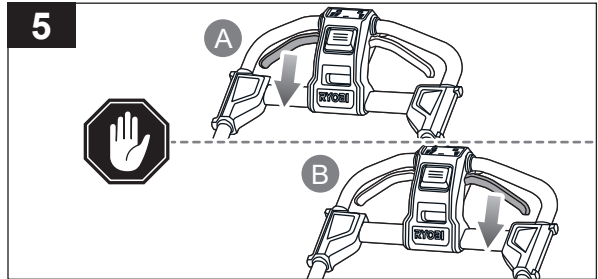
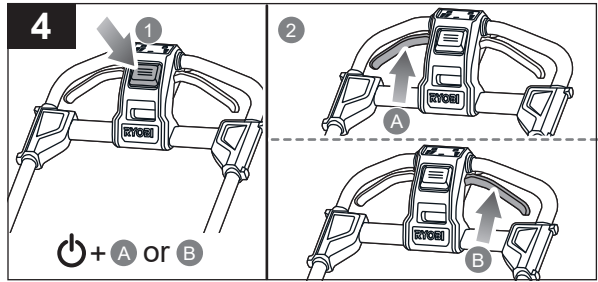
**NOTE:** The grass catcher collects grass clippings preventing them from being discharged across the lawn while mowing. The product will not start without the catcher securely installed.



- Press the start button, then squeeze and hold either side of the on/off lever to start the product. Release the start button and keep holding the on/off lever to keep using the product.

**NOTE:** Allow up to 2 seconds for the self-propel function to reach full speed.

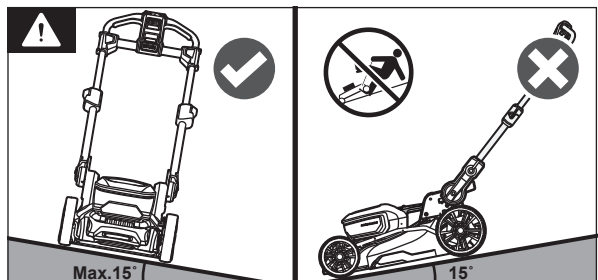
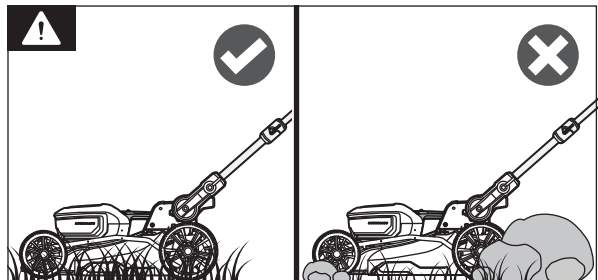
- To stop the product, release either the left or right on/off lever.



#### USING THE MULCHING PLUG

**WARNING:** Avoid holes, ruts, bumps, rocks, property stakes, or other hidden objects.

**WARNING:** Do not operate the product on inclines greater than 15°. Mow across the face of slopes, never up and down.



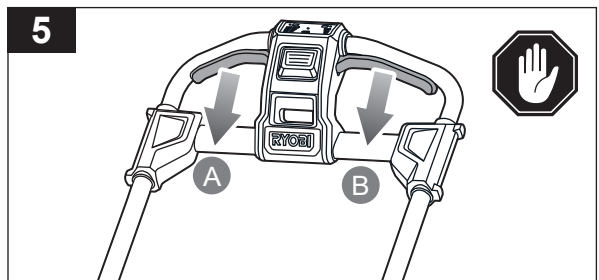
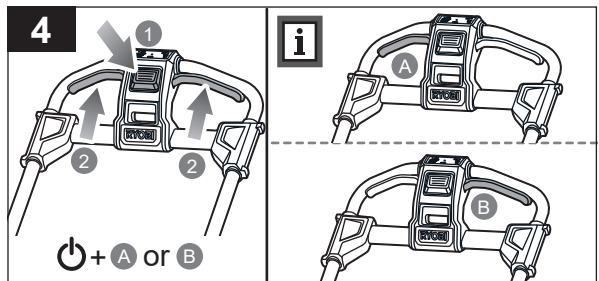
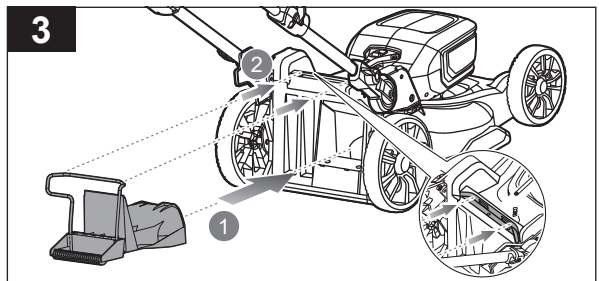
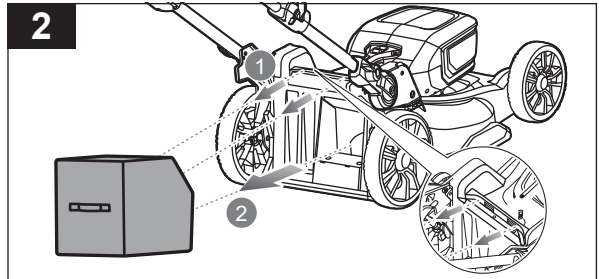
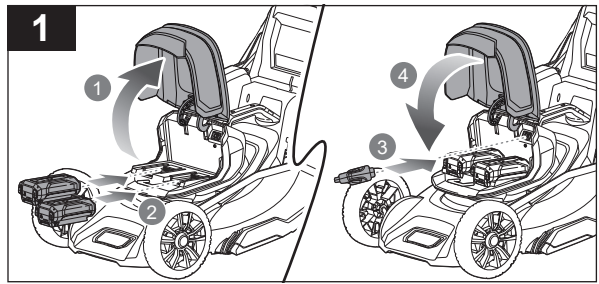
1. Open the battery door. Insert one or two battery packs into the product. Make sure that the latch on the battery pack clicks in place, and that the battery pack is secured before operating the product. Insert the isolator key. Close the battery door.

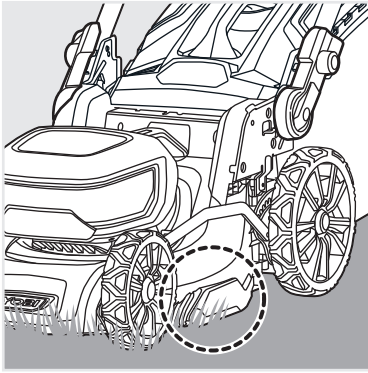
**NOTE:** The product does not start without the isolator key. Ensure that the isolator key is installed in the product.

2. Remove the grass catcher.
3. Insert the metal frame of the mulching plug into the magnetic slot on the mower, and insert the mulching plug into the rear discharge chute.

**NOTE:** The mulching plug covers the rear discharge opening to allow the blade to cut and recut for finer clippings.

4. Press the start button, then squeeze and hold either side of the on/off lever to start the product. Release the start button and keep holding the on/off lever to keep using the product.
5. Release the on/off trigger to stop the product.

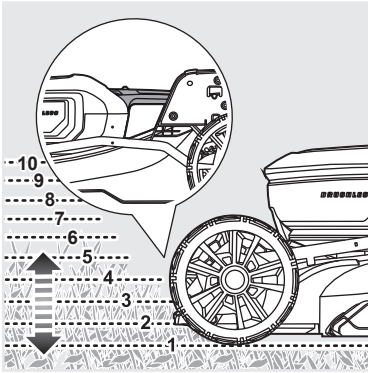
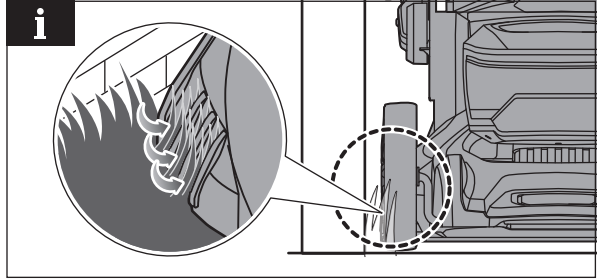
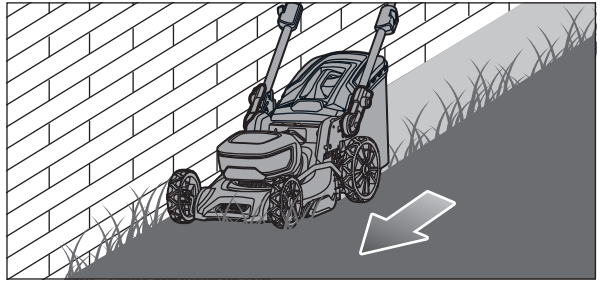




### CUTTING WITH EASY EDGE

EASY EDGE allows the product to easily cut the grass along walls or the edge of the lawn.

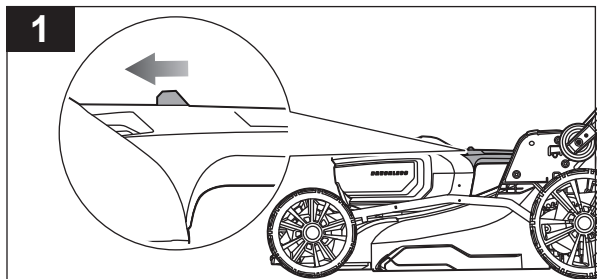
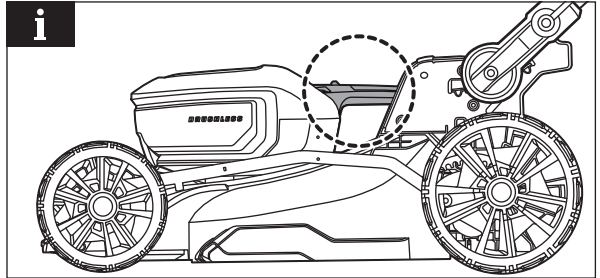
**NOTE:** EASY EDGE pulls grass towards the blade when the product is running along a wall or the edge of the lawn.



### ADJUSTING THE CUTTING HEIGHT

**NOTE:** Properly hold the carry handle while adjusting the cutting height.

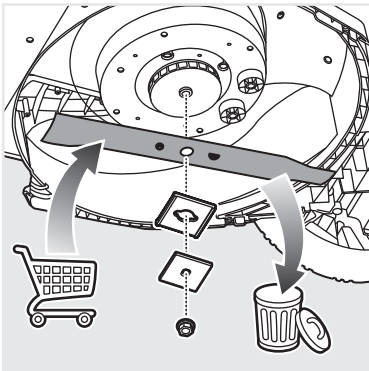
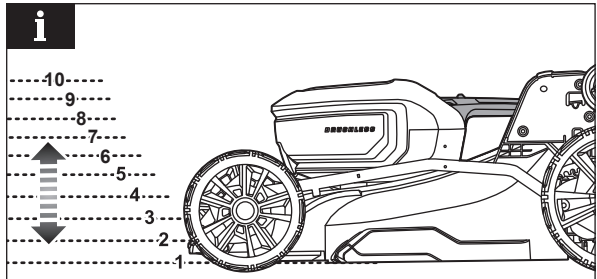
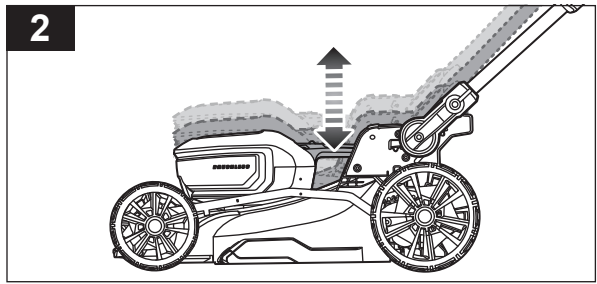
1. Slide forward the cutting height release key to unlock the cutting deck.





- Pull up or push down the deck to the preferred cutting height. Refer to the height label and indicator. Make sure that the cutting height is securely locked into position before mowing.

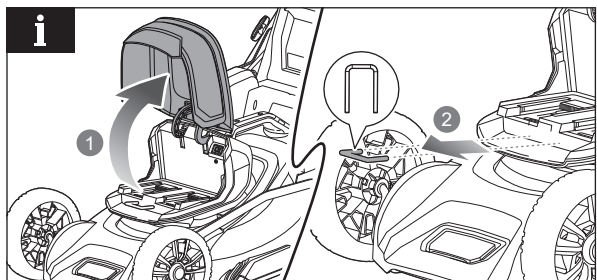
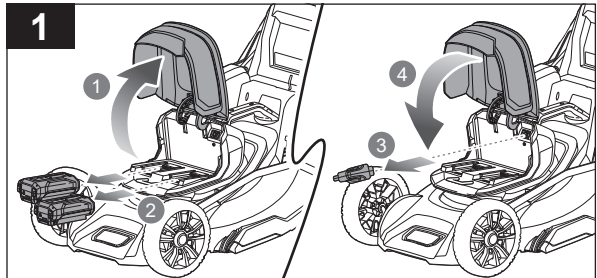
**NOTE:** The cutting height can be adjusted to 10 positions. Cutting heights may vary in particular products. Start the mower at the highest position, before cutting the grass. If the height adjustment key is difficult to slide forward, try lifting up the handle slightly and then sliding forward to set your preferred height adjustment.



### REPLACING THE BLADE

- Open the battery door. Remove the battery packs. Remove the isolator key, and close the battery door.

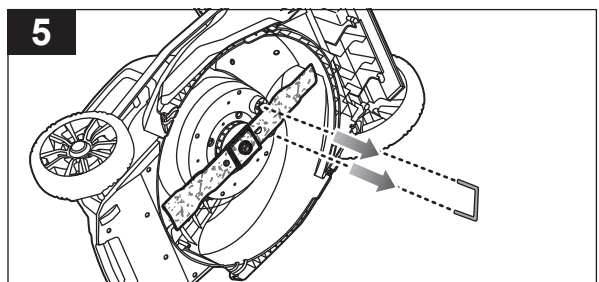
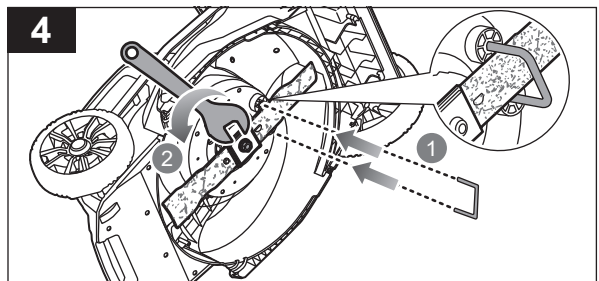
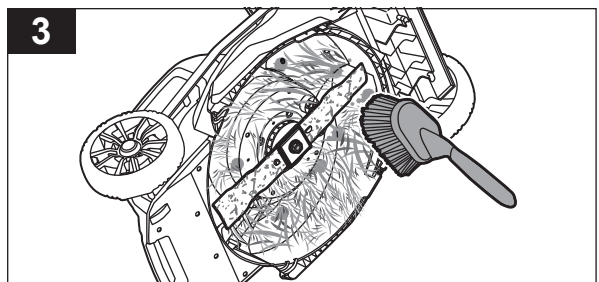
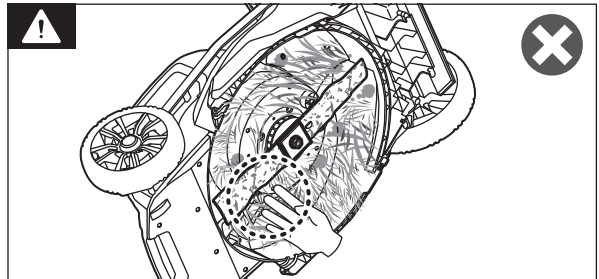
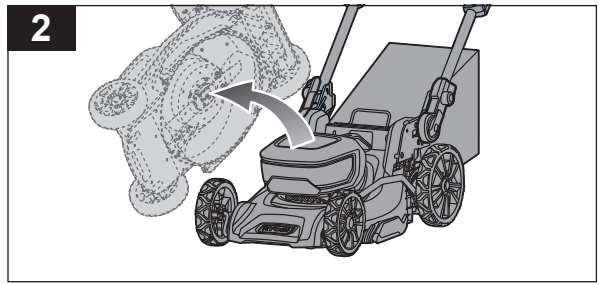
**NOTE:** Open the battery door. Remove the blade change-U bolt from its compartment.



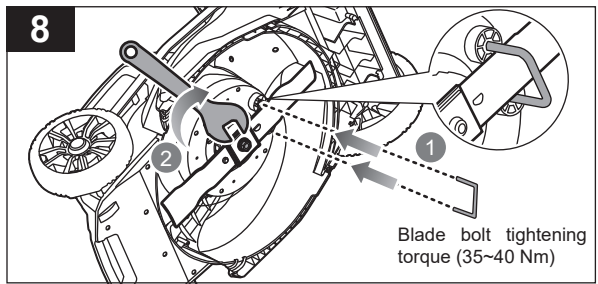
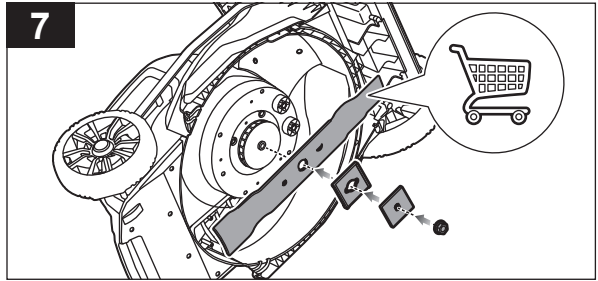
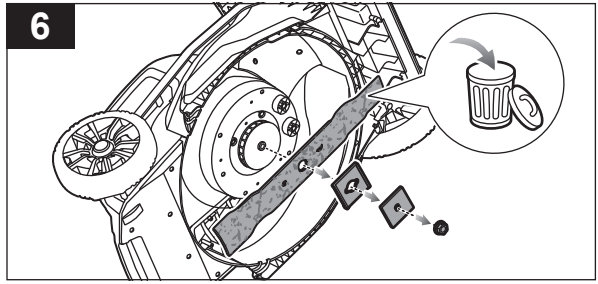
2. Tilt the product on its side.

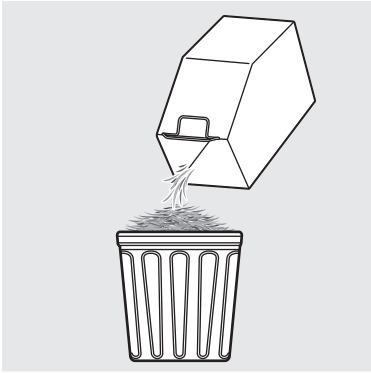
**WARNING:** The blade on the product is sharp. Use extreme caution, and wear heavy-duty gloves when fitting, replacing, cleaning, or checking bolt security.

3. Remove all grass clippings and debris from the cutting deck and blade.
4. Insert the U-shape plug into the cutting deck holes to prevent the blade from spinning during loosening the blade nut. Loosen the blade nut.
5. Remove the blade change U-bolt.



6. Remove the blade nut, spacer, and washer. Remove and properly dispose of the old blade.
7. Install the new blade, washer, spacer, and nut.
8. Insert the blade change U-bolt into the cutting deck holes to prevent the blade from spinning during tightening the blade nut. Hand-tighten the nut until the blade is secured and does not shake. Then use a spanner to further tighten the nut by 1/2 turn (35-40 Nm torque).

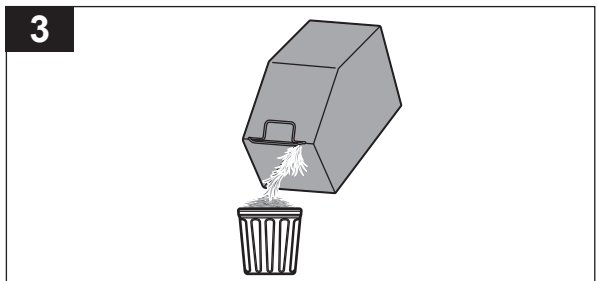
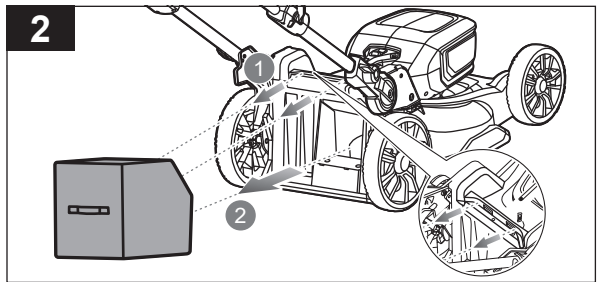
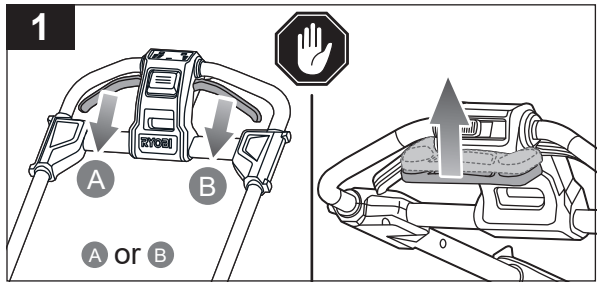
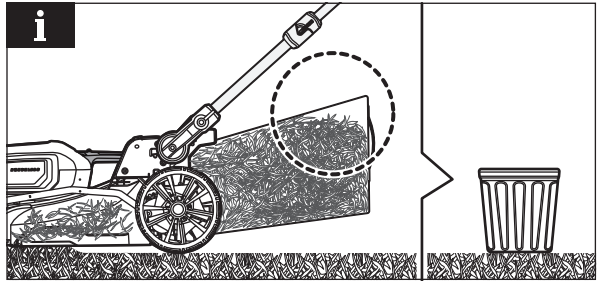
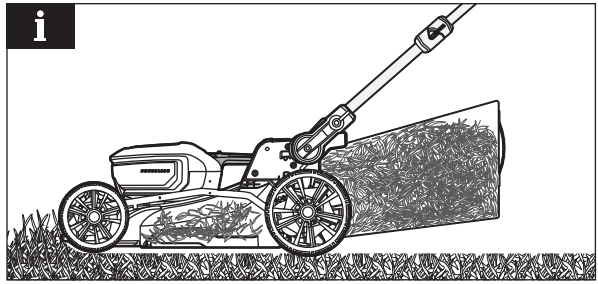


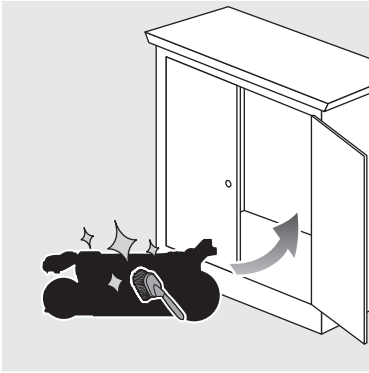


### EMPTYING THE GRASS CATCHER

**NOTE:** Stop mowing when the grass catcher is full. Empty the grass catcher before resuming operation.

1. To stop the product, release either the left or right on/off lever.
2. Remove the grass catcher.
3. Remove the grass clippings from the grass catcher into a bin.



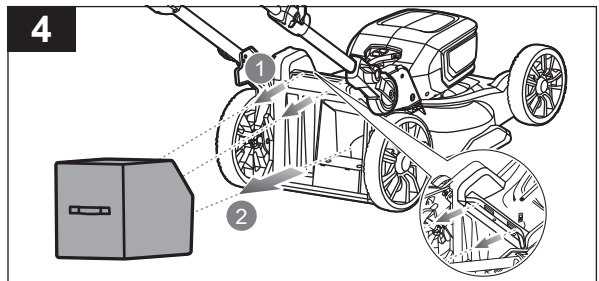
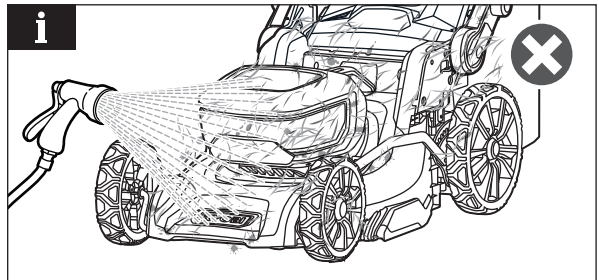
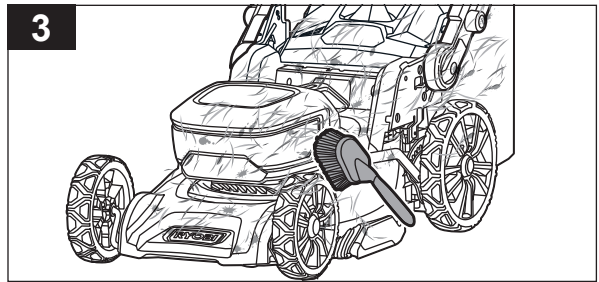
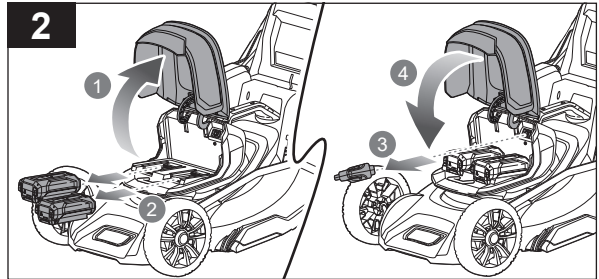
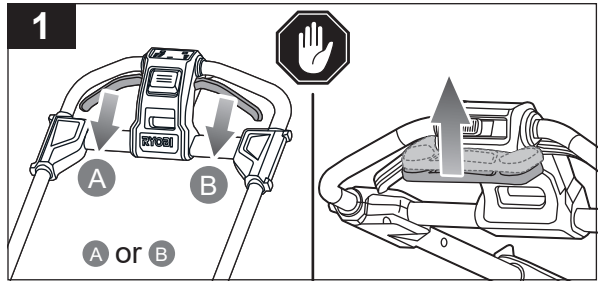


**CLEANING AND STORING THE PRODUCT**

1. Release the on/off lever to turn off the product.
2. Open the battery door. Remove the battery packs. Remove the isolator key, and close the battery door.
3. Remove all foreign materials from the product. Clean the product with a soft, dry cloth, or cleaning brush.

**WARNING:** Do not use water to clean the product.

4. Remove the grass catcher.



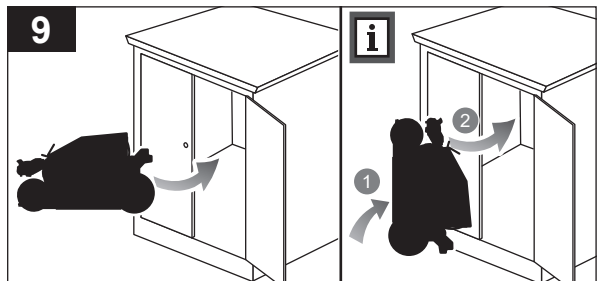
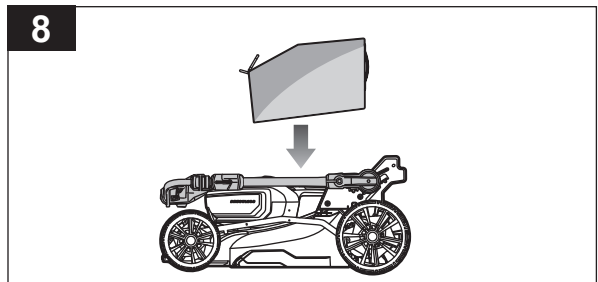
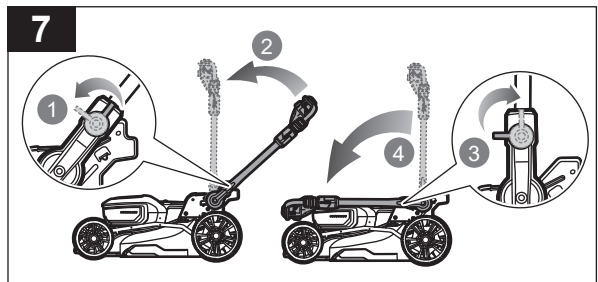
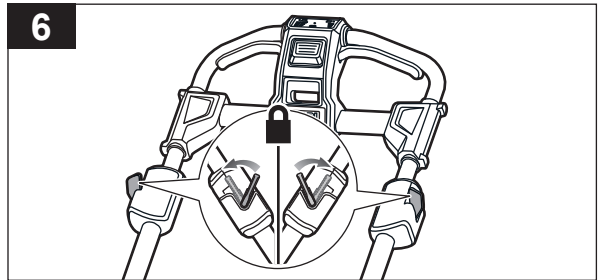
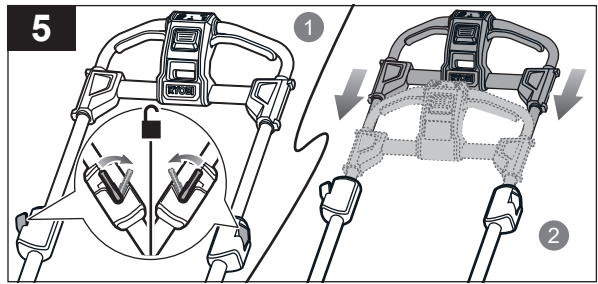


5. Open the handle locks. Push the upper handle into the lower handle until the handle is fully retracted.
6. Close the handle locks to secure the handle.
7. Turn the quick-release fastener 90° counterclockwise. Push the handle forward until it is perpendicular to the floor, then turn back the quick-release fastener to align with the handle. Fold down the lower handle, resting it on top of the product.
8. Fold the grass catcher and place it on top of the product.

**NOTE:** The product may be stored vertically. There is a latch on the back of the user interface panel to hang the grass catcher.

**NOTE:** Ensure that the battery packs are removed and that all the handles are securely locked before storing the product in a vertical position.

9. Store the product in a cool, dry, and well-ventilated place that is inaccessible to children. Keep the product away from corrosive agents, such as garden chemicals and de-icing salts. Do not store the product outdoors.



20210810v148

## PRODUCT SPECIFICATIONS

Cordless lawnmower	
Model	R36XLMW20
Rated voltage	36 V d.c.
Width of cut	46 cm
Height of cut	25 - 100 mm
No-load speed (max)	3600 /min
Maximum cutting speed	3600 /min
Weight (without battery)	25 kg
Grass catcher capacity	55 L
Blade bolt torque	35~40 Nm
Vibration level (in accordance with Annex FF of EN 60335-2-77)	$a_n = 1.0 \text{ m/s}^2$
Uncertainty of measurement	$K = 1.5 \text{ m/s}^2$
Noise emission level (in accordance with Annex GG of EN 60335-2-77)	
A-Weighted sound pressure level at operator's position	$L_{PA} = 88.3 \text{ dB(A)}$
Uncertainty of measurement	$K = 3.0 \text{ dB}$
A-Weighted sound power level	$L_{WA} = 97.5 \text{ dB(A)}$
Uncertainty of measurement	$K = 2.5 \text{ dB}$
$L_{WA} + K_{WA}$	100 dB(A)

## BATTERY AND CHARGER

Model	R36XLMW26	R36XLMW20
Battery pack	BPL3660D	-
Weight	1.96 kg	-
Charger	BCL3660F	-
Compatible battery packs	BPL3620D, BPL3626, BPL3626D, BPL3626D2, BPL3640, BPL3640D, BPL3640D2, BPL3650, BPL3650D, BPL3650D, BPL3650D2, BPL3660D, BPL3690D, BPL3612D, R36BTY2, R36BTY4, R36BTY5	
Compatible chargers	BCL3617S, BCL3617U, BCL3650F, BCL3660F	

## REPLACEMENT PARTS

Blade	RLMB1
-------	-------

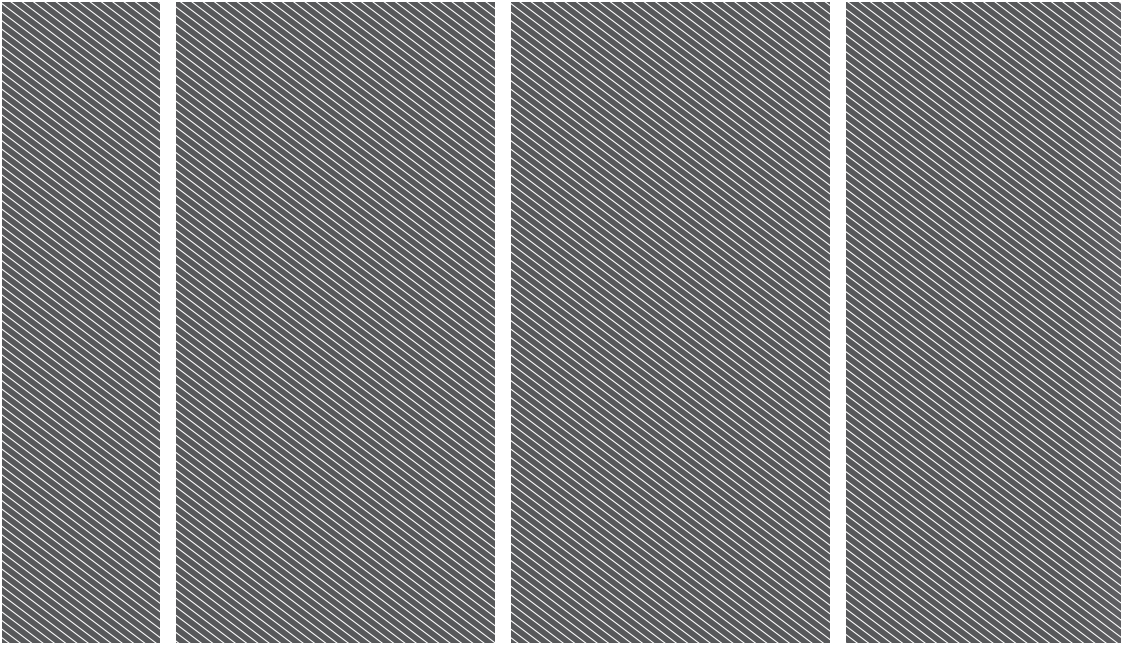
**⚠ WARNING!** The declared vibration total values and the declared noise emission values given in this instruction manual have been measured in accordance with a standardised test and may be used to compare one tool with another. They may be used for a preliminary assessment of exposure.

The declared vibration and noise emission values represent the main applications of the tool. However, if the tool is used for different applications, used with different accessories, or poorly maintained, the vibration and noise emission may differ. These conditions may significantly increase the exposure levels over the total working period. An estimation of the level of exposure to vibration and noise should take into account the times when the tool is turned off or when it is running idle. These conditions may significantly reduce the exposure level over the total working period.

Identify additional safety measures to protect the operator from the effects of vibration and noise, such as maintaining the tool and the accessories, keeping the hands warm (in case of vibration), and organising work patterns<sup>5</sup>







Imported by:

**Techtronic Industries Australia Pty Ltd**

31 Gilby Road, Mount Waverley, VIC 3149

Melbourne, Australia

**Techtronic Industries N.Z. Limited**

Unit C, 70 Business Parade South,

Highbrook, Auckland 2013, New Zealand

*RYOBI is a trade mark of Ryobi Limited, and is used under license.*

*EASYCATCH is a trade mark of Techtronic Cordless GP.*

*SMART BOOST is a trade mark of Techtronic Cordless GP.*

961478239-01

